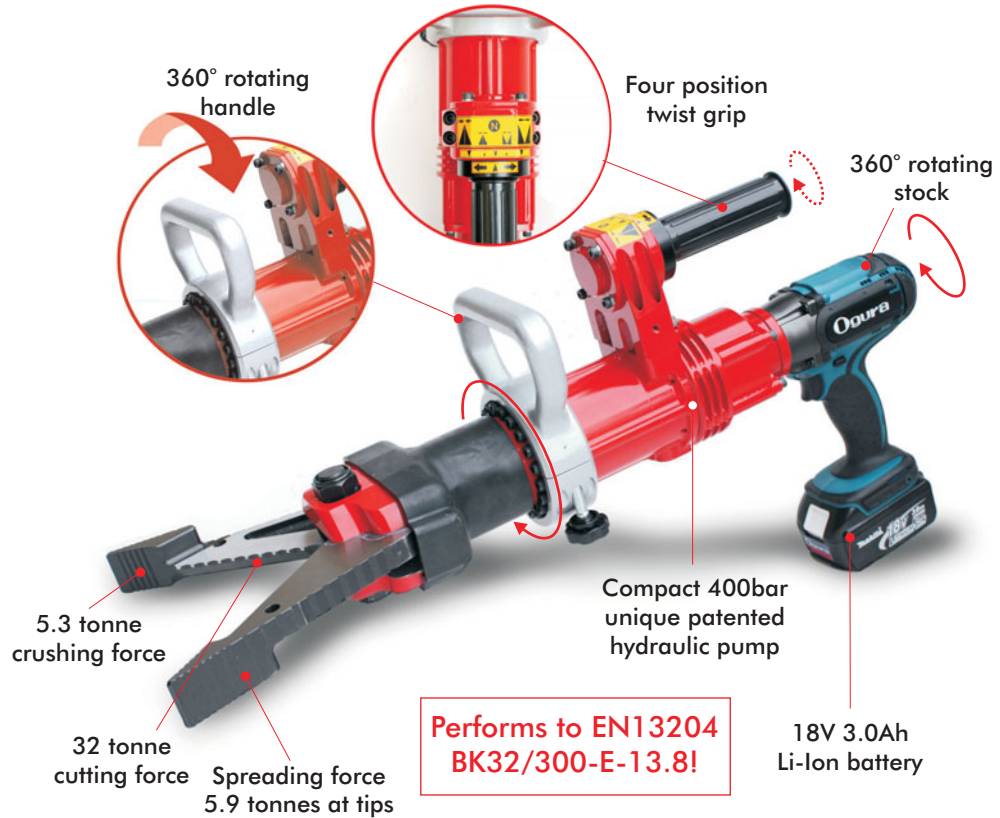


BC-300 Combi-Tool

The BC-300 Combi-Tool is the most portable, lightweight and ergonomic battery powered Combi available. At only 13.8Kg it is a full 500 grams lighter than the nearest competitors.

As Ogura is the only rescue tool manufacturer with access to Makita batteries, the BC-300 can boast the most advanced power source available with in-vehicle charging options. Able to cut 24mm bar with a spreading distance of 300mm at over 5 tonnes, this battery Combi-Tool will not let you down.



Features

- Lightweight and compact; offers real portability
- Revolutionary hydraulic pump gives incredible power
- No trailing hoses to trip over
- Immediate deployment
- 300mm 5.9 tonne spread
- 32 tonne cutting pressure



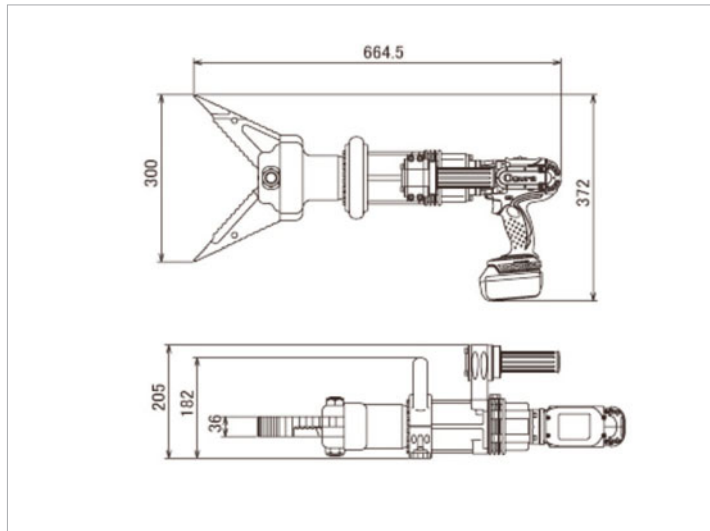
Cutting Capacity

Rebar - 440 N/mm ² (64,000 psi)*	22mm (at the blade notch)
Round bar - 400 N/mm ² (58,000 psi)*	24mm (at the blade notch)
Flat bar - 400 N/mm ² (58,000 psi)*	80 x t10 mm
Angle Iron - 400 N/mm ² (58,000 psi)*	44. 45 x 44. 45 x t6.35 mm
Round Tube - 290 N/mm ² (42,000 psi)*	60.3 x t2.9 mm
Square Tube - 400 N/mm ² (58,000 psi)*	45 x t4 mm
Rectangular Tube - 400 N/mm ² (58,000 psi)*	60 x 40 x t3 mm

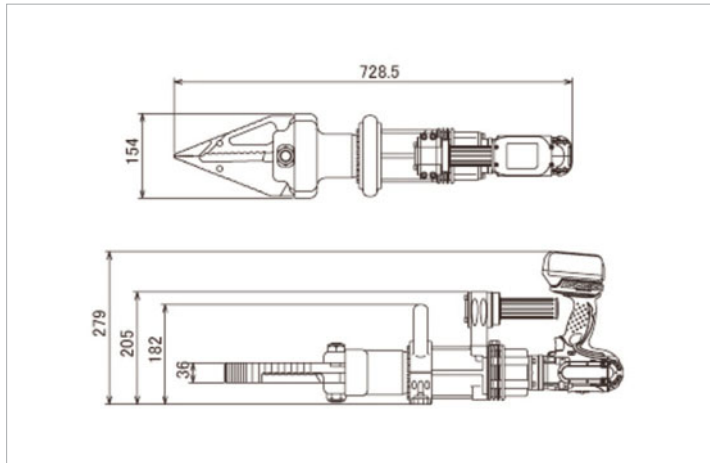
* Tensile strength

BC-300 Specification

Dimensions (motor parallel)



Dimensions (motor upright)



Battery and Charger



Specification

Motor	DC magnet motor
Battery	Li-Ion Battery 18V 3.0Ah
Weight (including battery)	13.8 kg
Dimensions – blades open (L x W x H)	664.5 x 300 x 279 mm
– blades closed (L x W x H)	728.5 x 154 x 279 mm
Operating Temperature Range	-20°C to +70°C
Max. cutter opening	205 mm
Max. cutting force (at blade notch)	313.8 kN (32 tonnes)
Max. cutting force (at blade centre)	115.7 kN (11.8 tonnes)
Max. spreading distance	300 mm
Max. spreading force (188mm from tips)	135.3 kN (13.8 tonnes)
Max spreading force (25mm from tips)	51 kN (5.2 tonnes)
Battery Charger	240Vac, 110Vac or 12/24Vdc (in vehicle)

Vimpex Ltd

Star Lane, Great Waking
 Essex SS3 0PJ England
 Tel: +44 (0) 1702 216999
 Fax: +44 (0) 1702 216699
 E-mail: sales@vimpex.co.uk
www.rescue-tools.co.uk



Advancing Rescue Technology

DS/BCT300/ISS 1

We reserve the right to change or amend any design or specification in line with our policy of continuing development and improvement.